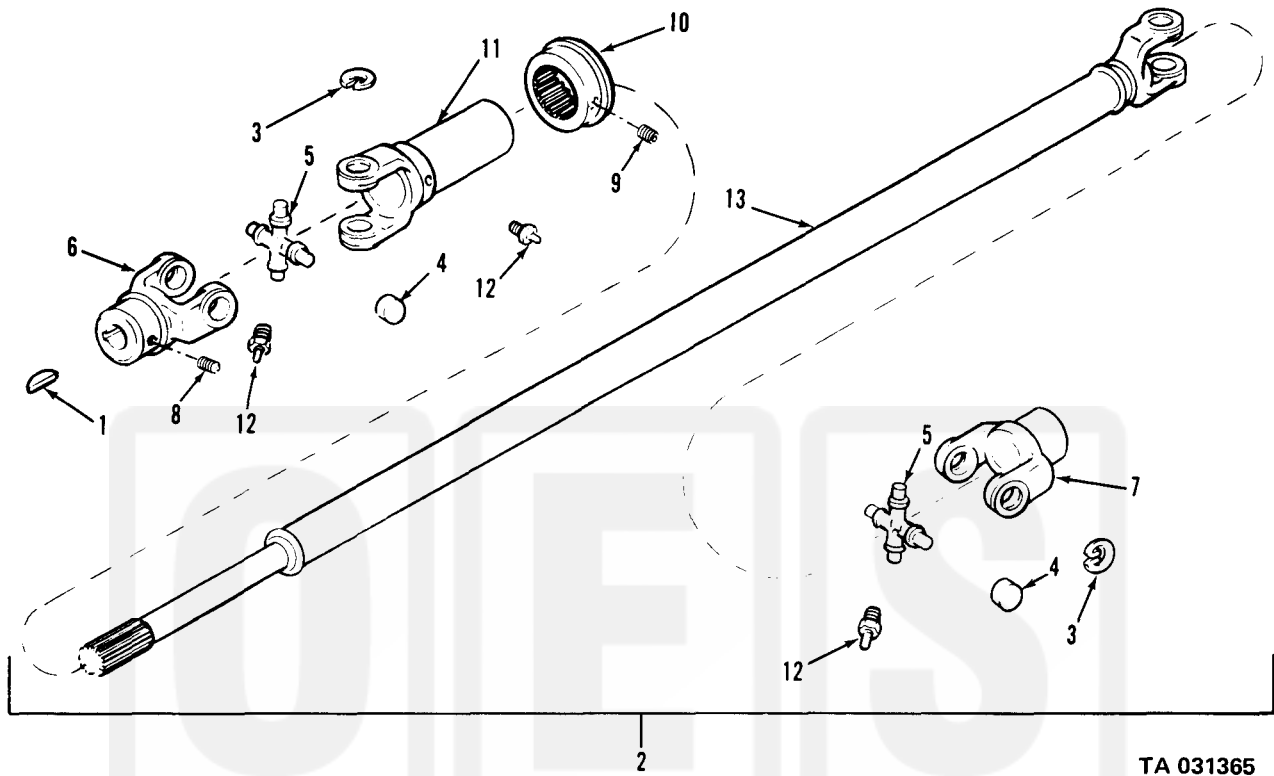


Current part is item (2) on diagram. Available at [www.oshkoshequipment.com](http://www.oshkoshequipment.com)

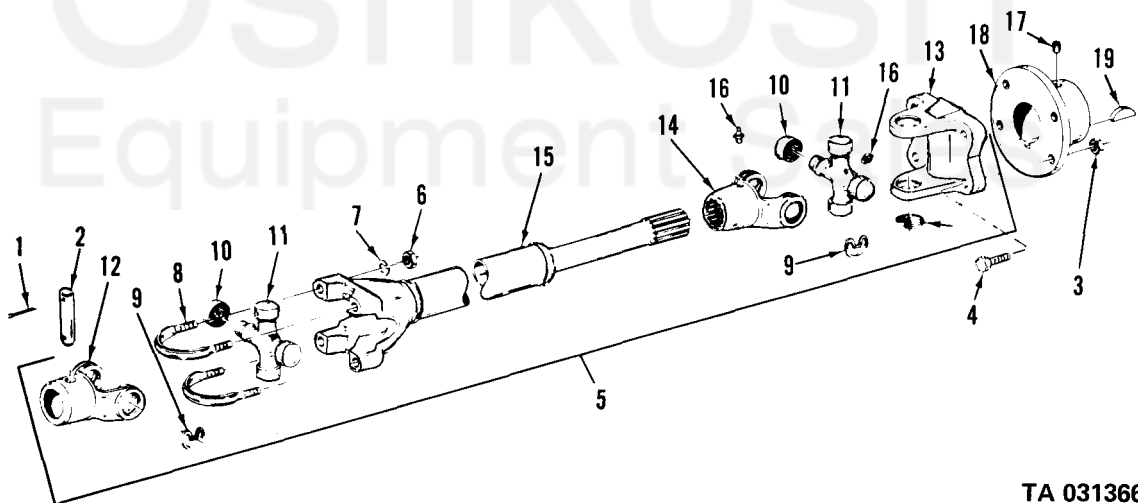
(1) ILLUS.	(2) FIG. NO.	(3) SMR ITEM CODE	(4) NATIONAL STOCK NUMBER	(5) PART NUMBER	(6) FSCM	(7) DESCRIPTION USABLE ON CODE	(8) QTY INC IN UNIT
						2001-HOIST,CAPSTAN,WINDLASS,CRANE OR WINCH ASSEMBLY(CONT'D)	
270	1	PAOZZ	5315-00-839-5820	MS24665-134	96906	PIN,COTTER AB,AC	EA 2
270	2	PAOZZ	5315-00-736-8685	7538740	19207	PIN,STRAIGHT	EA 1
270	3	PAOZZ	5310-00-959-1488	MS51922-21	96906	NUT,SELF-LOCKING AB,AC	EA 4
270	4	PAOZZ	5305-00-269-2803	MS90726-60	96906	SCREW,CAP,HEXAGON HEAD AB,AC	EA 4
270	5	PAOOO	2520-00-924-1529	10946832	19207	PROPELLER SHAFT:FRONT WINCH DRIVE W/UNIVERSAL JOINTS(REPLACES SHAFT, 10872201)(USED ON OLD A1 SERIES TRUCKS) AB,AC	EA 1
270	6	KFOZZ		MS51968-5	96906	NUT,PLAIN,HEXAGON:CD-OR ZN-PLTD, 5/16-24UNF-2B(PART OF KIT, P/N5704149) AB,AC	EA 4
270	7	KFOZZ		MS35338-26	96906	WASHER,LOCK:SPLIT,HELICAL,STL, CD-OR ZN-PLTD,5/16IN.(PART OF KIT,P/N5704149) AB,AC	EA 4
270	8	KFOZZ		5307299	19207	BOLT-U(PART OF KIT, P/N5704149) AB,AC	EA 2
270	9	KFOZZ		5226154	19207	RING,RETAINING(PART OF KIT, P/N5704149) AB,AC	EA 6
270	10	KFOZZ		11601609	19207	BEARING ASSEMBLY(PART OF KIT, P/N5704149) AB,AC	EA 8
270	11	KFOZZ		11601608	19207	JOURNAL,CROSS ASSEMBLY(PART OF KIT,P/N5704149) AB,AC	EA 2
270	12	XBOZZ	2520-00-887-9504	7538743	19207	YOKE:SHAFT AND UNIVERSAL JOINT WINCH END AB,AC	EA 1
270	13	PAOZZ	2520-00-999-5585	6262446	19207	YOKE,SHAFT:FRONT WINCH DRIVE SHAFT TO POWER TAKE-OFF AB,AC	EA 1
270	14	PAOZZ	2520-00-924-1534	10885745	19207	YOKE ASSEMBLY AB,AC	EA 1
270	15	PAOZZ	2520-00-999-5586	10947089	19207	PROPELLER SHAFT:FRONT WINCH AB,AC	EA 1
270	16	PAOZZ	4730-00-050-4203	MS15001-1	96906	FITTING,LUBRICATION AB,AC	EA 3
270	17	XBOZZ	5305-00-939-0576	MS51977-84	96906	SETSCREW AB,AC	EA 1
270	18	XBOZZ	2520-00-469-8437	10896990	19207	FLANGE:WINCH PROPELLER SHAFT AB,AC	EA 1
270	19	PAOZZ	5315-00-616-5527	MS35756-18	96906	KEY,WOODRUFF:WINCH PROPELLER SHAFT FLANGE MTG AB,AC	EA 1
270		PAOZZ	2520-00-421-7226	5704149	19207	KIT,REPAIR:FRONT WINCH DRIVE AB,AC	EA 1
270	6					NUT AB,AC	EA 4
270	7					WASHER AB,AC	EA 4
270	8					BOLT-U AB,AC	EA 2
270	9					RING AB,AC	EA 6

Current part is item (2) on diagram. Available at [www.oshkoshequipment.com](http://www.oshkoshequipment.com)



TA 031365

Figure 269. Front winch drive shaft (gas models).



TA 031366

Figure 270. Front winch drive shaft (multifuel models).